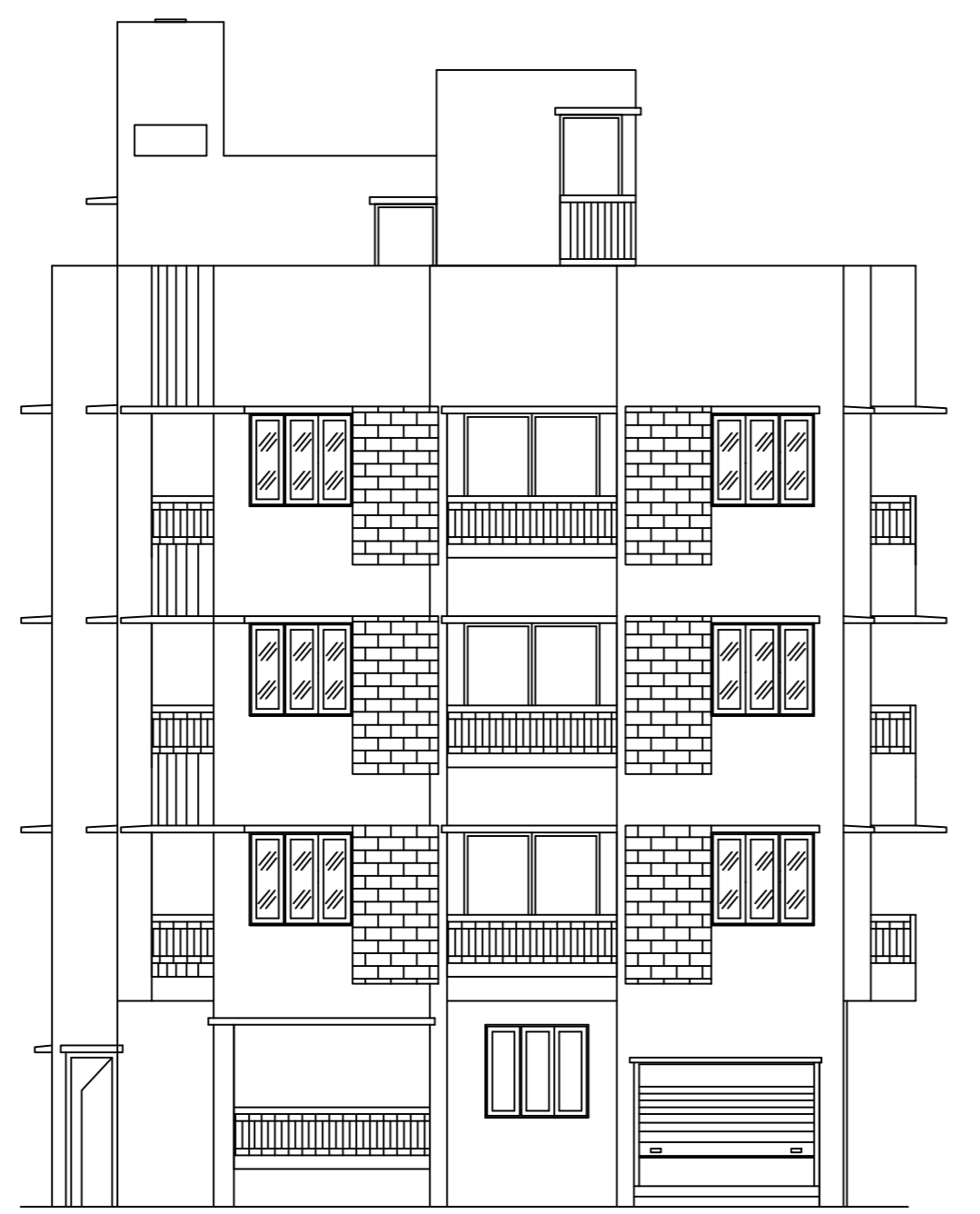
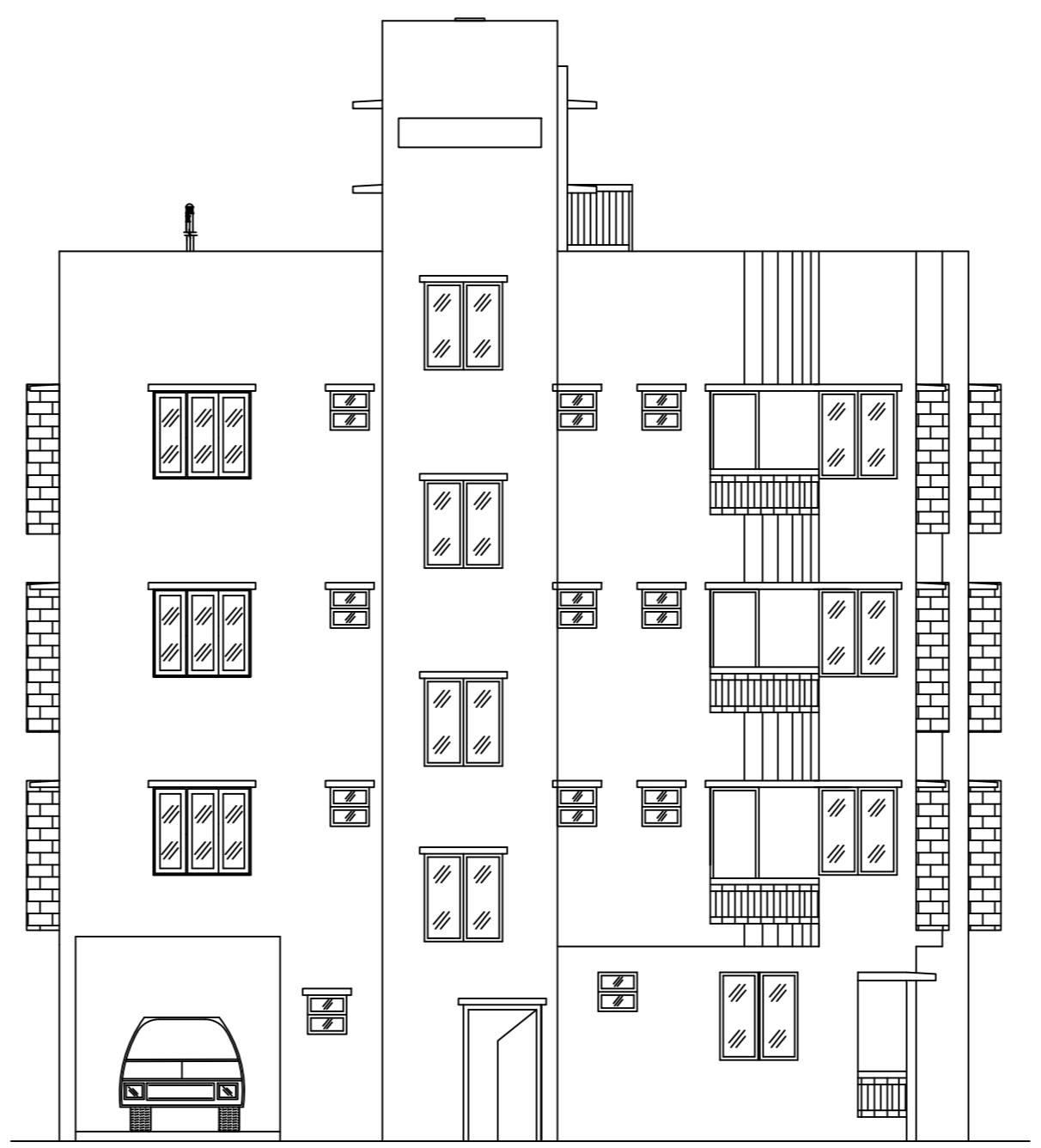


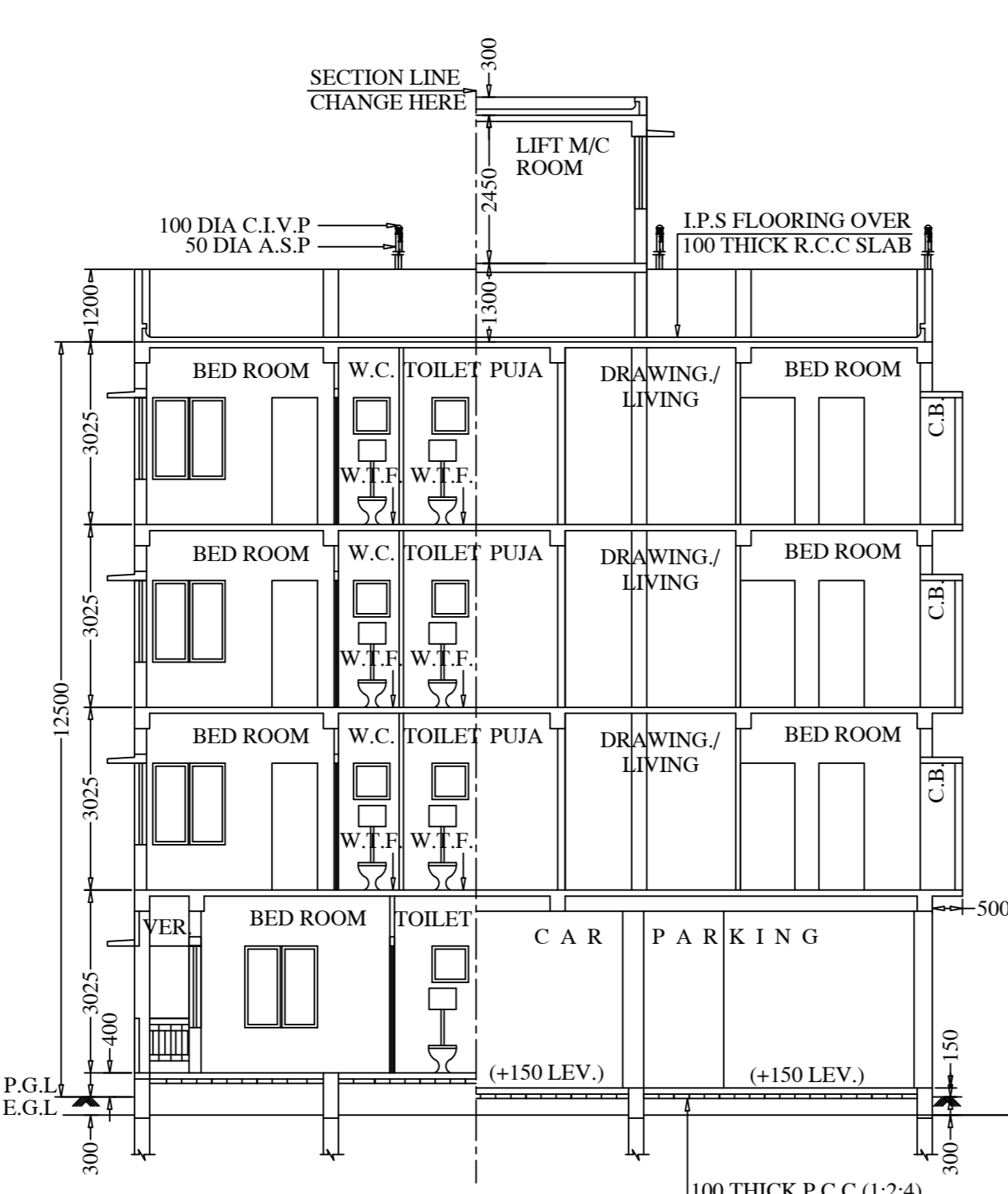
FRONT ELEVATION
SCALE: 1:100



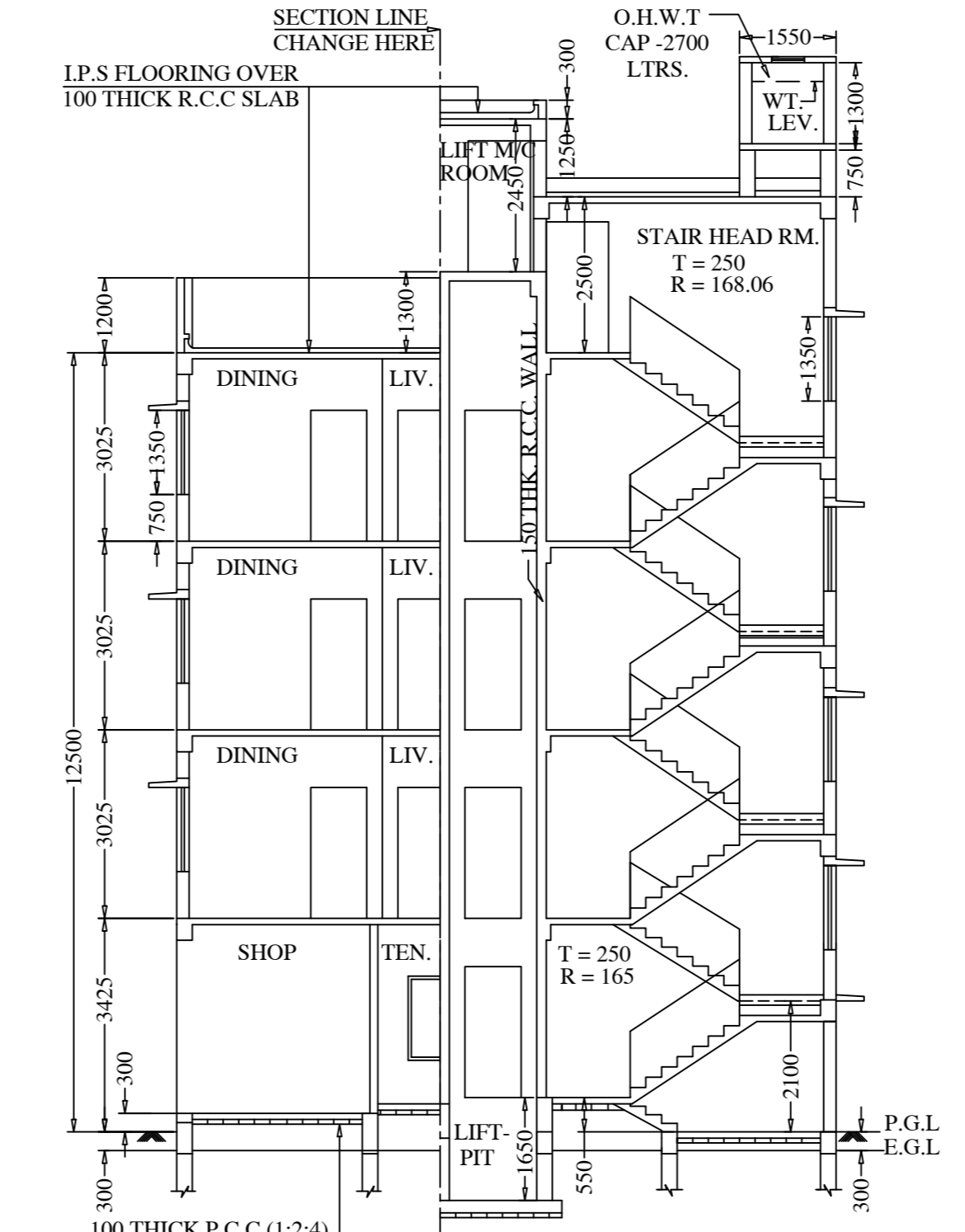
SOUTH SIDE ELEVATION
SCALE: 1:100



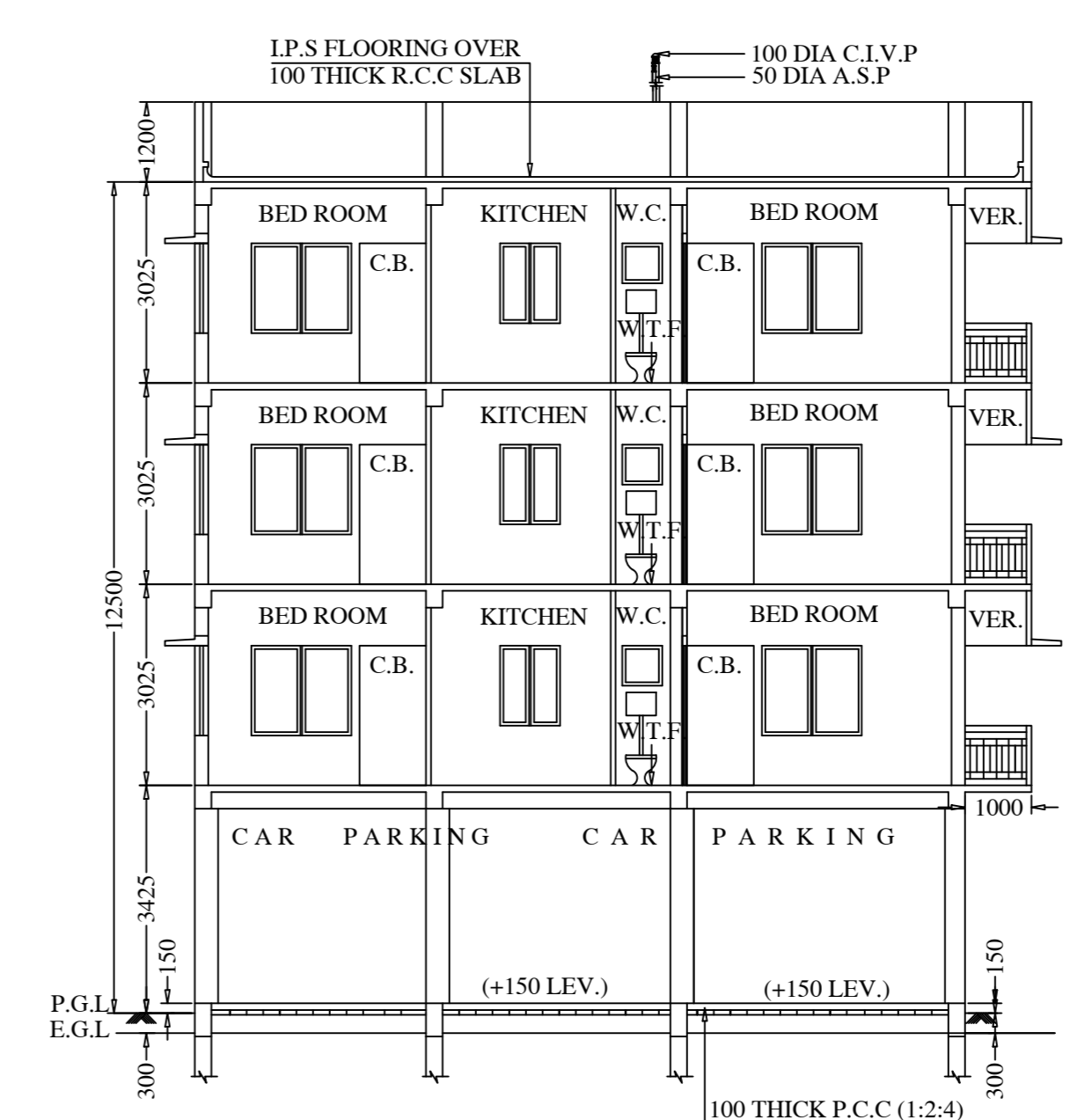
REAR SIDE ELEVATION
SCALE: 1:100



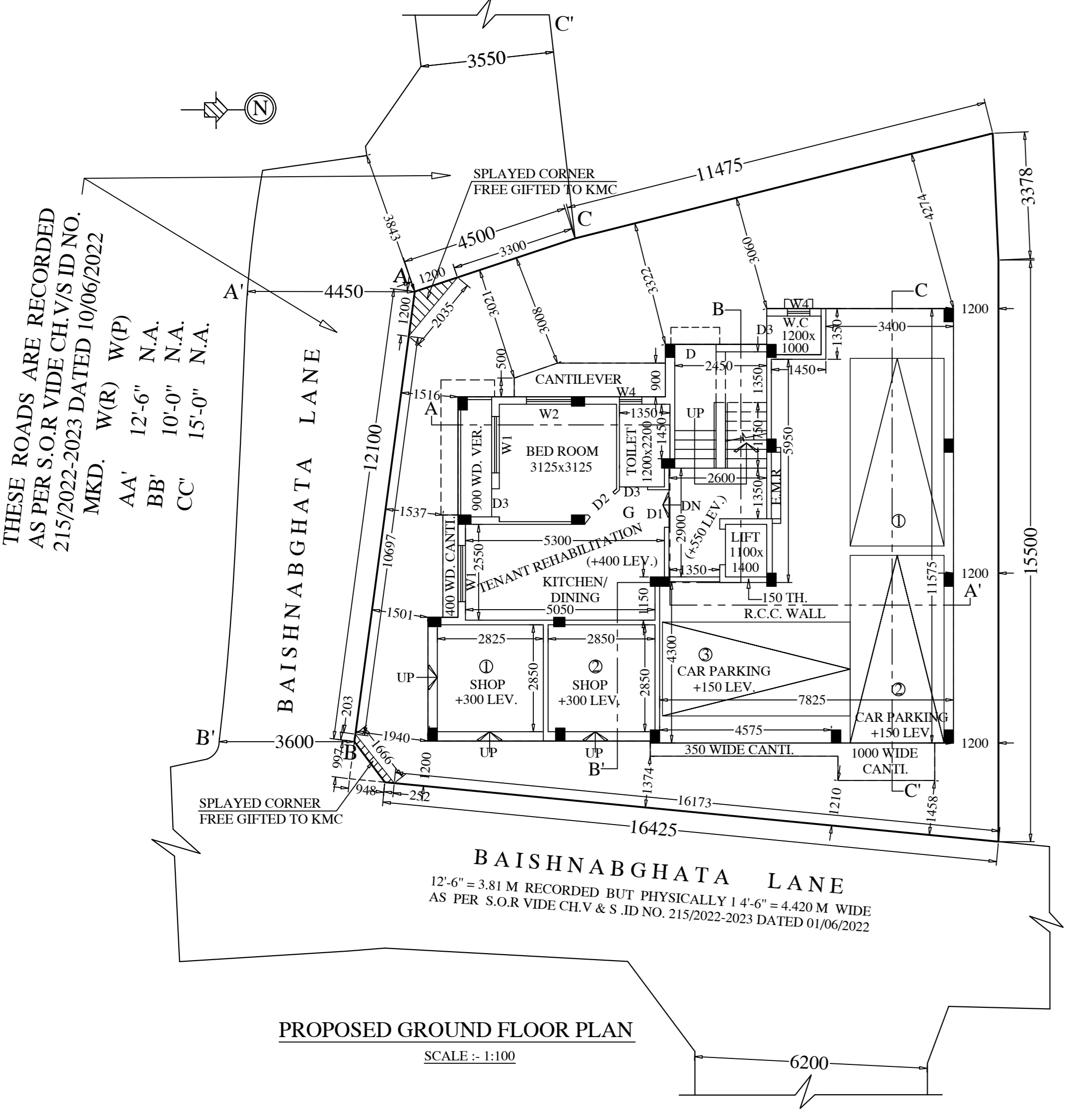
SECTION OF AA'
SCALE: 1:100



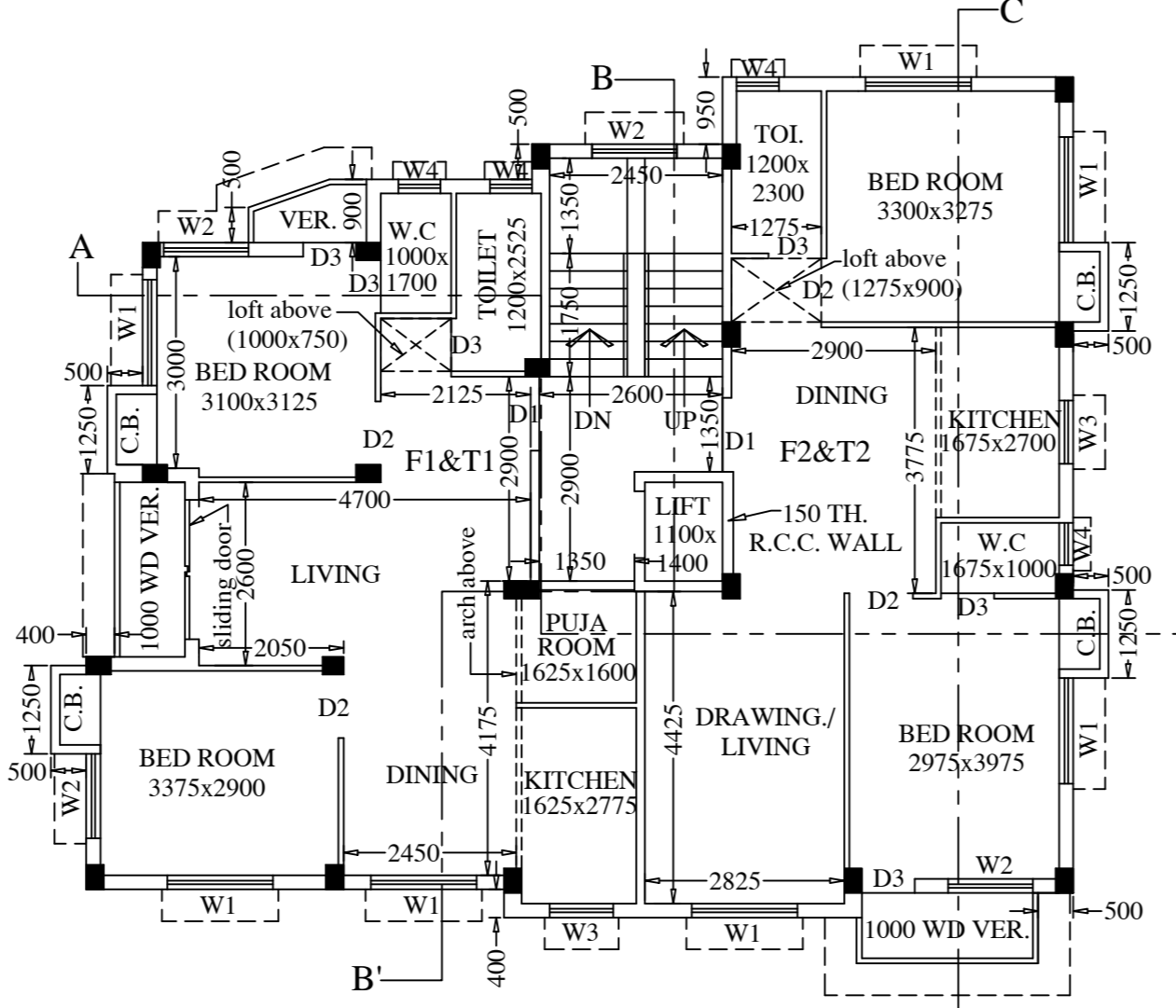
SECTION OF BB'
SCALE: 1:100



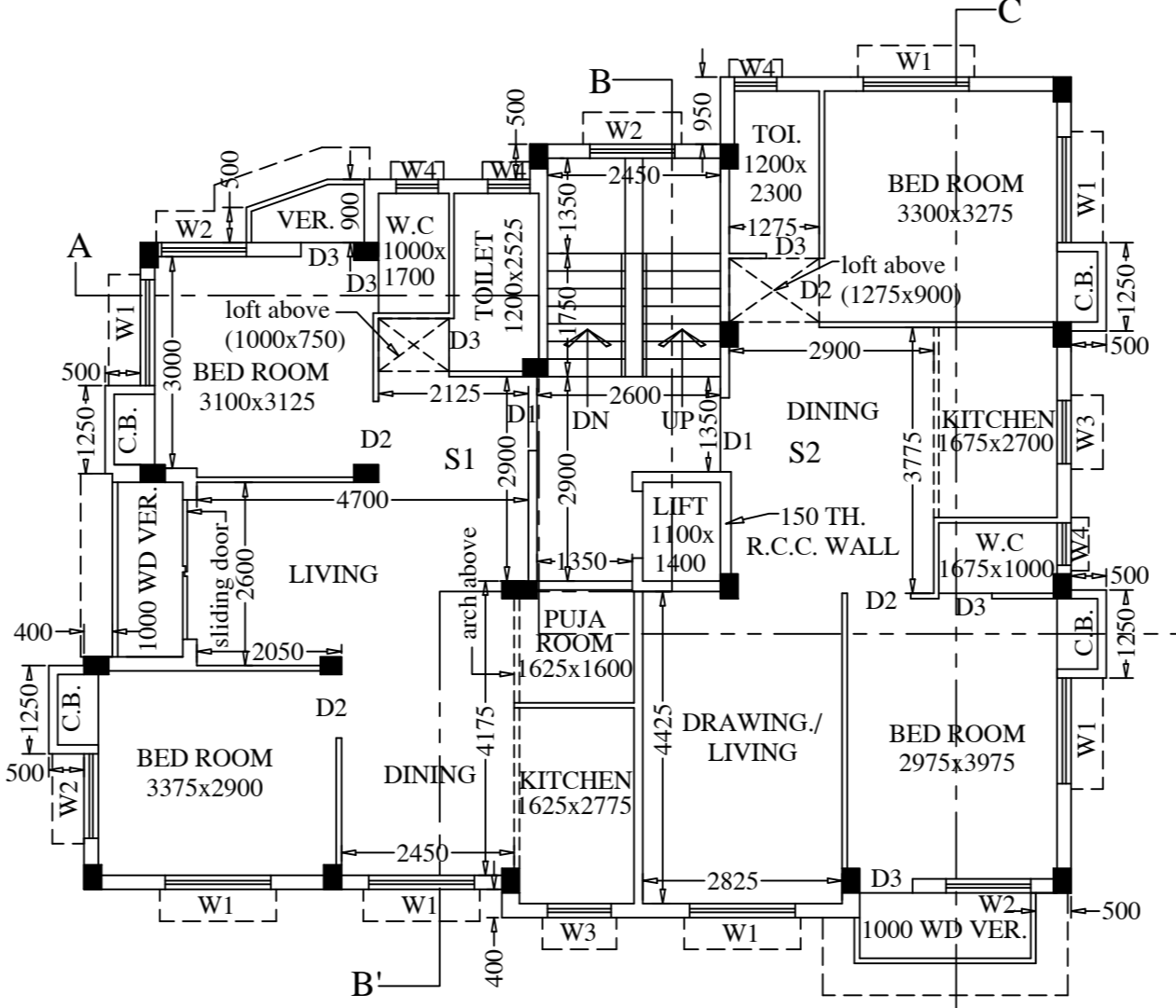
SECTION OF CC'
SCALE: 1:100



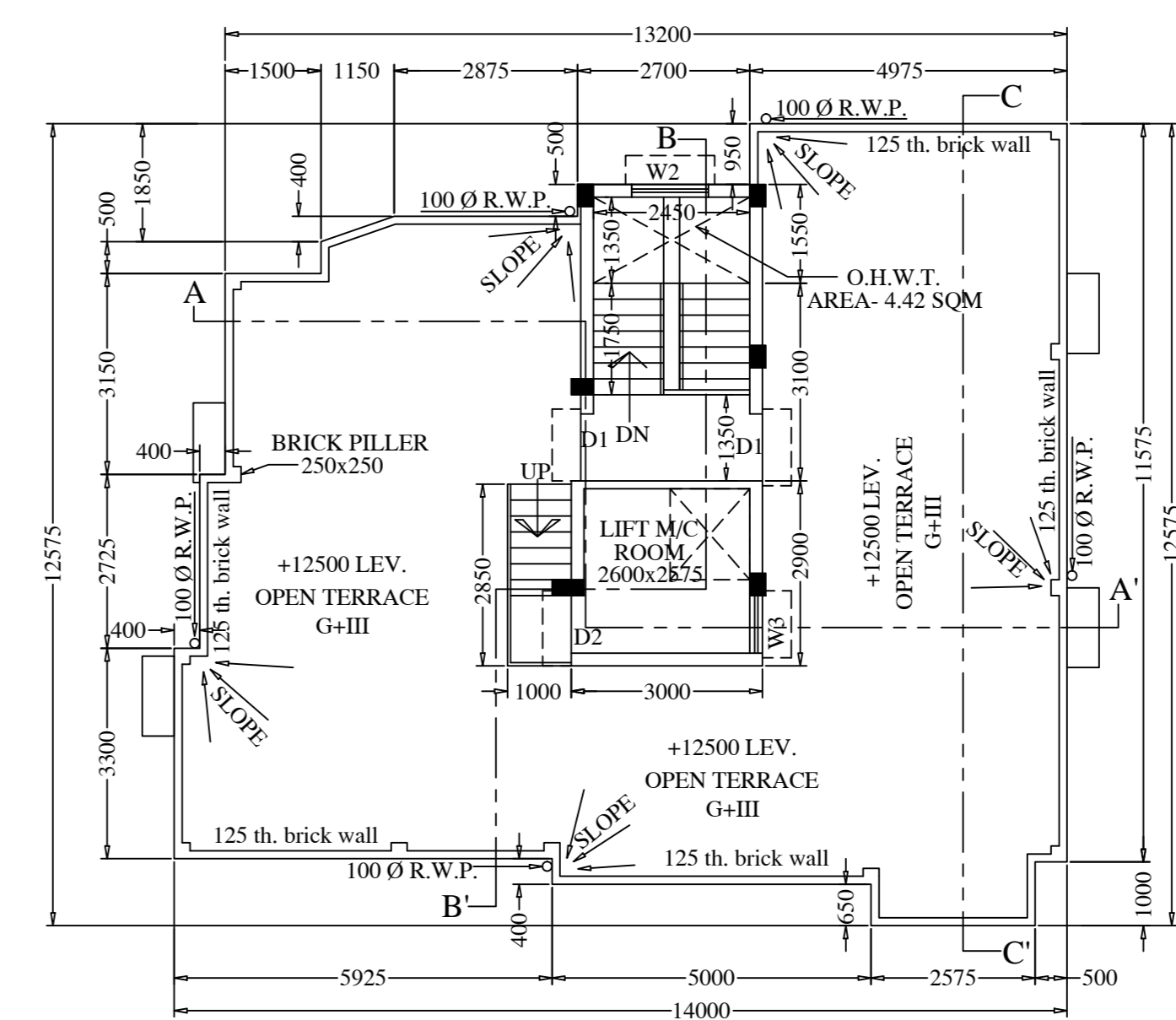
PROPOSED GROUND FLOOR PLAN
SCALE: 1:100



TYPICAL FLOOR PLAN
(1ST & 3RD FLOOR)
SCALE: 1:100



2ND FLOOR PLAN
SCALE: 1:100



ROOF PLAN
SCALE: 1:100

MAIN CHARACTERISTICS OF THE PROPOSAL :-			
PART - A		PART - B	
1. ASSESSEE NO.21-100-02-0031-5	6. DETAILS OF REGD. BOUNDARY DECLARATION :- BOOK NO.1 VOL. NO.1630-2022, PAGES 12632 TO 12657, BEING NO.16300260, YEAR 2022, D.S.R.V. SOUTH 24-POS, DATE: 10/02/2022.	7. DETAILS OF SPLAY CORNER :- BOOK NO.1 VOL. NO.1630-2022, PAGES 30882 TO 30903, BEING NO.16300258, YEAR 2022, D.S.R.V. SOUTH 24-POS, DATE: 06/02/2022.	8. DETAILS OF NON EVICTION OF TENANT :- BOOK NO.1 VOL. NO.1630-2022, PAGES 12658 TO 12677, BEING NO.16300259, YEAR 2022, D.S.R.V. SOUTH 24-POS, DATE: 10/02/2022.
2. NAME OF THE OWNER :- i) SMT. SWATI CHAKRABORTY ii) SRI INDRANIL CHATTERJEE iii) SMT. SASWATI RAHA	3. NAME OF THE APPLICANT (C.A) :- M/S. TARAMAA CONSTRUCTION PROPRIETOR GOUTAM PAUL	4. DETAILS OF REGISTERED TITLE DEED :- BOOK NO.1 VOL. NO.161, PAGES 174 TO 176, BEING NO.9971, YEAR 1957, SUB REGISTRAR ALPORE, SADR. DATE: 20/12/1957.	5. DETAILS OF POWER OF ATTORNEY :- BOOK NO.1 VOL. NO.1630-2021, PAGES 192053 TO 192084, BEING NO.16300599, YEAR 2021, D.S.R.V. SOUTH 24-POS, DATE: 16/12/2021.
SIGNATURE OF A.E.(C)/Bldg/Br-X/KMC			
B.P. NO. 2022100060 DATED :- 27-JUN-2022			
IS VALID FOR 5 YEARS FROM DATE OF SANCTION.			

PROPOSED PLAN FOR G+III STORIED RESIDENTIAL BUILDING (U/S 393A OF THE K.M.C. ACT 1980 & K.M.C. BUILDING RULES 2009) AT PREMISES NO.18A, BAISHNABGHATA LANE IN WARD NO.100, BOROUGH-X, P.S. NETAJI NAGAR, KOLKATA - 700047, (BUILDING HEIGHT-12.5 M), UNDER THE KOLKATA MUNICIPAL CORPORATION.

SCHEDULE OF DOORS & WINDOWS :-			
MKD.	SIZE	MKD.	SIZE
D	1100x2100	W1	1500x1350
D1	1000x2100	W2	1200x1350
D2	900x2100	W3	900x1200
D3	750x2100	W4	600x600

6. PROPOSED AREA:-		TOTAL EXEMPTED AREA				
FLOOR	FLOOR AREA (SQM)	STAIR WAY	STAIR WELL	LIFT LOBBY	LIFT WELL	NET FLOOR AREA
GROUND	139.63 SQM.	10.66 SQM.	NIL.	2.09 SQM.	NIL.	126.88 SQM.
FIRST	148.43 SQM.	10.66 SQM.	0.44 SQM.	2.09 SQM.	1.94 SQM.	133.30 SQM.
SECOND	148.43 SQM.	10.66 SQM.	0.44 SQM.	2.09 SQM.	1.94 SQM.	133.30 SQM.
THIRD	148.43 SQM.	10.66 SQM.	0.44 SQM.	2.09 SQM.	1.94 SQM.	133.30 SQM.
TOTAL	584.92 SQM.	42.64 SQM.	1.32 SQM.	8.36 SQM.	5.82 SQM.	526.78 SQM.

7. TENEMENT CALCULATION :-						
A) RESIDENTIAL:						
TENEMENT MKD.	TENEMENT AREA ACT. (SQM)	AREA TO BE ADDED (SQM)	TOTAL TENEMENT AREA (SQM)	NOS. OF TENEMENT	CAR PARKING CALCULATION REQUIRED NUMBER	TOTAL
G	33.73 SQM.	4.49 SQM.	38.22 SQM.	01	NIL.	
F1, S1 & T1	66.43 SQM.	8.84 SQM.	75.27 SQM.	03	3 NUMBERS	3 Nos.
F2, S2 & T2	66.38 SQM.	8.83 SQM.	75.21 SQM.	03		
CARPET AREA OF SHOP		16.17 SQM.			NIL.	

- 8. Nos. OF CAR PARKING PROVIDED :- 3 Nos. AND AREA = 68.71 SQM.
- 9. PERMISSIBLE F.A.R = 1.75 REQUIRED CAR PARKING FOR SHOP(≥ 25 SQM. CARPET AREA) :- NIL.
- 10. PROPOSED F.A.R = 1.749 < 1.75 TOTAL REQUIRED CAR PARKING :- > 3 NOS.
- 11. PROPOSED TOTAL FLOOR AREA = 588.36 + 19.44 (RESIDENTIAL+MERCANTILE) = 577.8 SQM.
- 12. ADDITIONAL AREAS FOR FEES = S.H.R. + L.M.R. + C.B. + LOFT + ST. FOR L.M.R. = 37.85 SQM.
- 13. TOTAL AREA FOR FEES = TOTAL FLOOR AREA + ADDITIONAL AREAS FOR FEES = 577.8 SQM + 37.85 SQM = 615.65 SQM.
- 14. TREE COVER(PERMISSIBLE) = (1/5) (6000 × 200.95 (L.A.) + 615.65 (AREA FOR FEES)) / 100 = 4.0 Sqn.
- 15. TREE COVER(PROVIDED) = 4.0 Sqn.
- 16. SHOP COVERED AREA = 19.44 SQM. (GROUND FLOOR)
- 17. SHOP CARPET AREA = 16.17 SQM. (GROUND FLOOR)
- 18. LIFT MACHINE ROOM AREA = 8.70 SQM.
- 19. STAIR FOR L.M.R. AREA = 2.85 SQM.
- 20. OVER HEAD TANK AREA = 4.42 SQM.
- 21. STAIR HEAD ROOM AREA = 13.25 SQM.
- 22. HEIGHT OF BUILDING = 12.500 M.
- 23. TOTAL CARPET AREA = 16.17 SQM. (GROUND FLOOR)
- 24. CUP BOARD AREA
- 25. LOFT AREA

DECLARATION OF OWNER/CA :-

- I/WE DO HERE BY UNDERTAKE WITH FULL RESPONSIBILITY THAT :-
- I/WE SHALL ENGAGE L.B.S. & E.S.E. DURING CONSTRUCTION.
- I/WE SHALL FOLLOW THE INSTRUCTION OF L.B.S. & E.S.E. DURING CONSTRUCTION OF THE BUILDING (AS PER APPROVED PLAN)
- K.M.C. AUTHORITY WILL NOT BE RESPONSIBLE FOR STRUCTURAL STABILITY OF THE BUILDING & ADJOINING STRUCTURE.
- IF ANY SUBMITTED DOCUMENTS ARE FOUND TO BE FAKE THE K.M.C. AUTHORITY WILL REVOKE THE SANCTIONED PLAN.
- THE CONSTRUCTION OF WATER RESERVOIR & SEPTIC TANK WILL BE UNDER THE GUIDANCE OF L.B.S./E.S.E. BEFORE STARTING OF BUILDING FOUNDATION WORK.
- EXISTING STRUCTURE RECORDED IN THE ASSESSMENT BOOK COPY PROVISION IS FULLY OCCUPIED BY THE OWNERS.

APPLICANTS
M/S. TARAMAA CONSTRUCTION PROPRIETOR GOUTAM PAUL AS CONSTITUTED ATTORNEY OF
i) SMT. SWATI CHAKRABORTY
ii) SRI INDRANIL CHATTERJEE
iii) SMT. SASWATI RAHA

CERTIFICATE OF L.B.S. :-
CERTIFIED WITH FULL RESPONSIBILITY THAT THE BUILDING PLAN HAS BEEN DRAWN AS PER PROVISION OF K.M.C. BUILDING RULES 2009 (AS AMENDED FROM TIME TO TIME) AND K.M.C. ACT 1980 (U.S. 393A) & SITE CONDITIONS WITH THE WIDTH OF 4.425 M. WIDE ROAD CONFORM TO THE PLAN AND IT IS A BUILDABLE SITE NOT A TANK OR FILLED UP TANK AND TALLY'S MORE OR LESS WITH REGISTERED BOUNDARY DECLARATION DEMARCATED BY BOUNDARY WALL. EXISTING STRUCTURE TO BE REMOLISHED BEFORE STARTING OF NEW CONSTRUCTION & THE PROVISION IS FULLY OCCUPIED BY THE OWNERS.

LICENSED BUILDING SURVEYOR
SOUMYAJIT BHATTACHARYA
L.B.S. NO. U/1513 (K.M.C.)

CERTIFICATE OF E.S.E. :-
CERTIFIED WITH FULL RESPONSIBILITY THAT THE STRUCTURAL DESIGN OF BOTH FOUNDATION & SUPER STRUCTURE OF THE BUILDING HAS BEEN MADE BY ME CONSIDERING ALL POSSIBLE LOADS INCLUDING SEISMIC LOAD AS PER I.B.C. OF INDIA AND CERTIFIED THAT IT IS STRUCTURALLY SAFE AND STABLE IN ALL RESPECT. THE FOUNDATION DESIGN HAS BEEN MADE BY ME CONSIDERING GEOTECHNICAL INVESTIGATION REPORT OF (G.T.E. NO. H/14 OF K.M.C.).
C/O. M/S. TECHNICAL SOIL OF-25, C.I.T. MARKET, JADAVPUR, KOLKATA - 700032.
DATED: 20/01/2022 TO 21/01/2022 AND O.H.W.T. & STAIR HEAD ROOM HAS BEEN CONSIDERED DURING LOAD CALCULATION FOR DESIGN.

SIGNATURE OF G.T.E.
KALLOI KUMAR GHOSHAL
G.T.E. NO. U/14 (K.M.C.)

EMPANELLED STRUCTURAL ENGINEER
SOUMYAJIT BHATTACHARYA
E.S.E. NO. U/546 (K.M.C.)

SPECIFICATIONS :-

- A) ALL EXTERNAL WALL 200 MM. TH. AND ALL INTERNAL AND PARTITION WALL 125 & 75 MM. TH.
- B) ALL 125 & 75 MM. TH. WALL WITH 1ST. CLASS BRICK WITH (4:1) SAND, CEMENT MORTAR.
- C) ALL R.C.C. WORK WITH STONE CHIPS, SAND & CEMENT (4:2:1) (UNLESS OTHERWISE MENTIONED).
- D) GRADE OF CONCRETE - M20.
- E) GRADE OF STEEL - FE500.
- F) ALL MATERIALS SHALL BE CONSIDERED TO THE PROPTION OF NATIONAL BUILDING CODE OF INDIA.

DESIGNED :-	CHECKED :-	FLOOR PLANS, SECTIONS, ELEVATIONS, DETAILS & SCHEDULES	CONSULTANT :-
Sumya	Sumitra		m/s. suprlantech INDIA (A UNIT OF CONSULTANCY SERVICES) 15A, Baishnabhata Lane, KOLKATA-700047 (098355092)
SCALE: 1:100 (OTHER WISE NOTED)	APPROVED :-	SHEET :- ARCH (A) DWG.	FORMAT: E00B
			DATE :- 15/01/2022 JOB NO :- 01